

## Brady Collapsible Gate Valve Lockouts

Catalog #: 148646, 148647, 148648

www.bradyid.com

### Design

- Made of rugged injection-molded acrylonitrile butadiene styrene
- Patent-pending design includes a knock-out center that accommodates OS&Y or "rising stem" valves
- These gate valve lockout covers come in 3 sizes, ranging to cover hand wheels of 3" to 18" in diameter
- Covers fold for easier storage, carrying & application
- Accept locks with shackles up to 3/8" in diameter, and are supplied with danger labels in English, Spanish and French

### Material

- Housing: Acrylonitrile butadiene styrene
- Rivet, Washers: Copper, Stainless Steel
- Housing Color: Red (PMS 1805C)
- UL Rating: UL 94 – HB (Plastic Components Only)

### Temperature Range

- Acrylonitrile butadiene styrene : -40° to 100°C (-40° to 212°F)

### Chemical Resistance

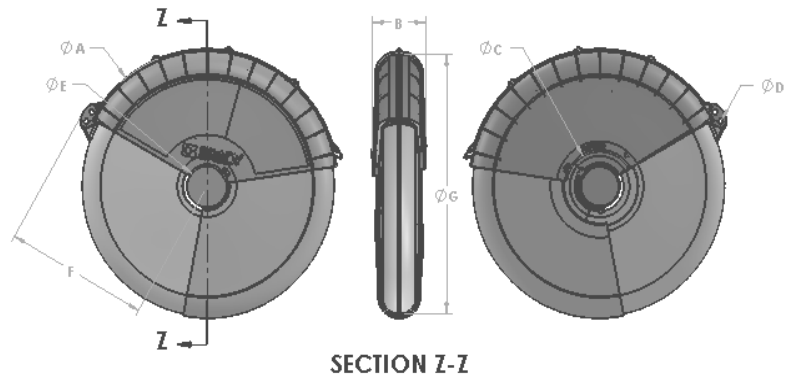
All approved chemicals listed are based on the manufactures specified chemical resistance chart for plastic material only.

### Dimensions

	CGV-7	CGV-13	CGV-18
A	9.03" (229.4mm)	14.76" (374.9mm)	19.70" (500.4 mm)
B	3.10" (78.7mm)	3.98" (101.1mm)	3.98" (101.1mm)
C	2.44" (62.0mm)	4.11" (104.5mm)	5.00" (127.0mm)
D	.38" (9.7mm)	.38" (9.7mm)	.38" (9.7mm)
E	1.75" (44.5mm)	2.90" (73.7mm)	2.90" (73.7mm)
F	5.22" (132.7mm)	8.20" (208.2mm)	10.66" (270.8mm)
G	7.44" (189.0mm)	13.63" (346.2mm)	18.61" (472.7mm)



Chemical	°C	Chemical	°C
Lubrication oil: gear oil	< 120	Water (including seawater), chlorinated (<0,5 mg/l)	80
Petroleum	25	Lubricating oil: HD engine oils, hydraulic oils, transformer oils	< 120
Water (including seawater)	25		



**Warranty**

**Note:** All values shown are averages and should not be used for specification purposes. Test data and test results contained in this document are for general information only and shall not be relied upon by Brady customers for designs and specifications, or be relied on as meeting specified performance criteria. Customers desiring to develop specifications or performance criteria for specific product applications should contact Brady for further information. Product compliance information is based upon information provided by suppliers of the raw materials used by Brady to manufacture this product or based on results of testing using recognized analytical methods performed by a third party, independent laboratory. As such, Brady makes no independent representations or warranties, expressed or implied, and assumes no liability in connection with the use of this information.

**MSDS Information**

**1. HAZARDS IDENTIFICATION**

This product is NOT DANGEROUS and contains no hazardous ingredients.

**2. FIRST AID MEASURES/HEALTH INFORMATION /PROTECTION**

Eye Contact:	Flush with water for at least 20 minutes. Seek medical attention if irritation persists
Ingestion:	Seek medical attention if a significant amount is swallowed
Inhalation:	Remove person to fresh air. Assist in breathing if necessary. Seek medical attention.
Skin Contact:	Not applicable, product is inert, except if product is melted use gloves. For hot melted product, immerse in or flush affected area with water to dissipate heat, then obtain medical attention.
Exposure Limits:	None
Threshold Limits	None
Personal Protection:	None (ambient conditions)
NPCA-HMIS Rating:	Health: 0; Flammability: 1; Reactivity: 0
NFPA-704 Rating:	Health: 0; Flammability: 1; Reactivity: 0

**3. FIRE-FIGHTING MEASURES**

<ul style="list-style-type: none"> <li>Be cautious of hot melted ABS</li> <li>Isolate product from fire</li> <li>Extinguish fire with water spray</li> </ul>	<ul style="list-style-type: none"> <li>Use water spray to cool fire, exposed surfaces, and to protect personnel</li> <li>Respiratory and eye protection is required for fire fighting personnel</li> <li>Decomposition products under fire conditions: Carbon monoxide, carbon dioxide, hydrogen cyanide.</li> </ul>
--	--

**4. ACCIDENTAL RELEASE MEASURES**

Land	Recover material and place in suitable container for reuse or for disposal in conformance with local regulations.
Water	Recover material and place in suitable container for reuse or for disposal in conformance with local regulations.

**5. HANDLING AND STORAGE**

5.1 Handling	5.2 Storage
No precautions noted-see local regulation if needed	Storage pressure: Atmospheric
	Storage temperature: Ambient, no direct sunlight

**6. EXPOSURE CONTROLS/PERSONAL PROTECTION**

6.1 Exposure limit values	6.2 Exposure Controls
None	6.2.1 Occupational Exposure Controls
	6.2.1.1 Respiratory Protection: Not applicable
	6.2.1.2 Hand Protection: Not applicable
	6.2.1.3 Eye Protection: Not applicable
	6.2.1.4 Skin Protection: Not applicable
	6.2.2 Environmental Exposure Controls: No data available

**7. PHYSICAL AND CHEMICAL PROPERTIES**

General Information	
Other Information	

**8. STABILITY AND REACTIVITY**

8.1 Conditions to Avoid
Higher Temperatures and direct sunlight
Highly stable, but temperatures over 195 F may cause degradation
8.2 Materials to Avoid
No data available
8.3 Hazardous Decomposition Products
Under fire and oxygen-lean conditions may cause monoxide and irritating smoke

**MSDS Information (continued)**

**9. ECOLOGICAL INFORMATION**

9.1 Ecotoxicity	No data available
9.2 Mobility	No data available
9.3 Persistence and Degradability	No data available
9.4 Bioaccumulative Potential	No data available
9.5 Other Adverse Effects	No data available

**10. DISPOSAL CONSIDERATIONS**

None of the materials in this product are Recyclable, dispose of all materials in accordance with an applicable federal, state, and local law.

**11. TRANSPORT INFORMATION**

No data available

**12. OTHER INFORMATION**

No data available

**Catalog Numbers**

North America Europe Asia/Pacific Australia	Red
2"- 7" (50.8mm-177.8)	148648
7"-13" (177.8-330.2mm)	148647
13"-18" (330.2mm - 457.2mm)	148646